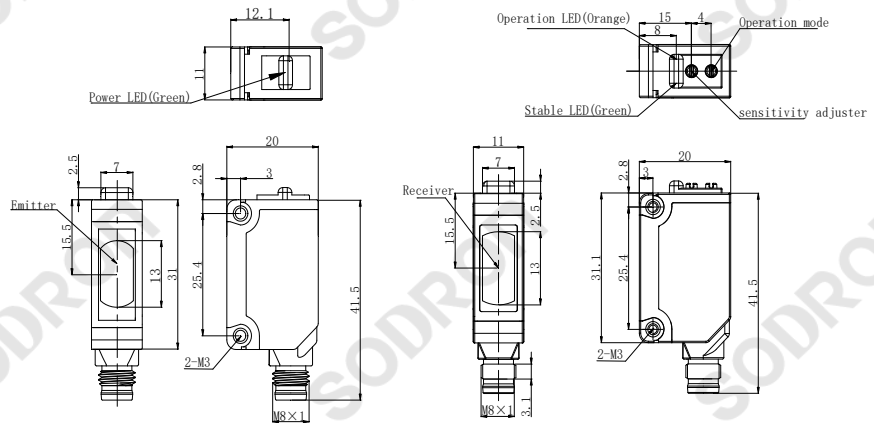




Dimensions



Model

PF31V-T10BNS(E)-E1
PF31V-T10BPS(E)-E1

Technical parameters

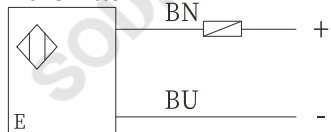
Detection method	Through beam
Model	NPN PF31V-T10BNS(E)-E1 PNP PF31V-T10BPS(E)-E1
Sensing distance	10cm
Standard target	> $\Phi 15\text{mm}$ (Opaque object)
Output mode	Light ON/Dark ON
Light source	850nm infrared light
Supply power	DC 12 ~ 24V $\pm 10\%$, impulse (P-P) < 10%
Directivity angle	3~15°
Residual voltage	< 2V (Load Current: $\leq 100\text{mA}$)
Current consumption	< 20mA
Load current	$\leq 100\text{mA}$
Circuit protection	Power reverse indirection connection protection, short-circuit protection
Response time	< 1ms
Indicator light	Output LED: Orange LED, Power/stable: Green LED
Connection	connector type (M8 4pin male)
Ambient temperature	Work: -25 ~ +55°C; Store: -30 ~ +70°C (No dew condensation or icing allowed)
Ambient humidity	Work: 35 ~ 85%RH, Store: 35 ~ 95%RH, (No dew condensation)
Ambient illumination	Sunlight: 10,000Lx, lamplight: 3,000Lx
Withstand voltage	1000 VAC, 50/60 Hz, 1 min.
Insulation resistance	> 20M Ω (DC500V megger) between current-carrying parts and case
Anti-vibration	10~55Hz double-amplitude 1.5mmX,Y,Z 2h
Impact resistance	500m/s ² X,Y,Z, directions for 3 times
Protection degree	IEC IP67
Housing	PBT
Material	PMMA

Product features

- Through beam, 850nm infrared light
- ASIC, Fast response, High frequency
- IEC IP67

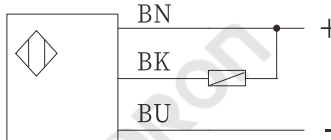
Connection

Transmitter

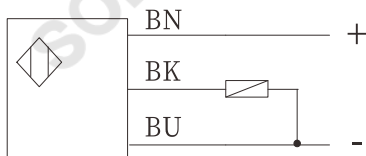


Receiver

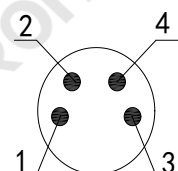
NPN



PNP



Terminal Number and Function Table



Terminal No.	Technical parameters
1	+V
2	No connection
3	0V
4	output